

PLEASE CHECK WWW.MOLEX.COM FOR LATEST PART INFORMATION

Part Number: [0554500269](#)
Status: **Active**
Description: 1.25mm (.049") Pitch Mi II™ System Wire-to-Board Header, SMT, Single Row, Vertical, 2 Circuits, without Plastic Peg, Lead-free

Documents:

[3D Model](#) [Product Specification PS-54596-022 \(PDF\)](#)
[Drawing \(PDF\)](#) [RoHS Certificate of Compliance \(PDF\)](#)

General

Product Family	PCB Headers
Series	55450
Application	Wire-to-Board
MolexKits	Yes
Product Name	Mini Mi II™

Physical

Breakaway	No
Circuits (Loaded)	2
Circuits (maximum)	2
Color - Resin	Natural
Durability (mating cycles max)	30
First Mate / Last Break	No
Glow-Wire Compliant	No
Guide to Mating Part	No
Keying to Mating Part	None
Lock to Mating Part	Yes
Mated Height (in)	0.331 In
Mated Height (mm)	8.40 mm
Material - Metal	Brass
Material - Plating Mating	Tin
Material - Plating Termination	Tin
Material - Resin	High Temperature Thermoplastic
Number of Rows	1
Orientation	Vertical
PCB Locator	No
PCB Retention	Yes
Packaging Type	Embossed Tape on Reel
Pitch - Mating Interface (in)	0.049 In
Pitch - Mating Interface (mm)	1.25 mm
Polarized to Mating Part	Yes
Shrouded	Partial
Stackable	No
Temperature Range - Operating	-40°C to +105°C
Termination Interface: Style	Surface Mount

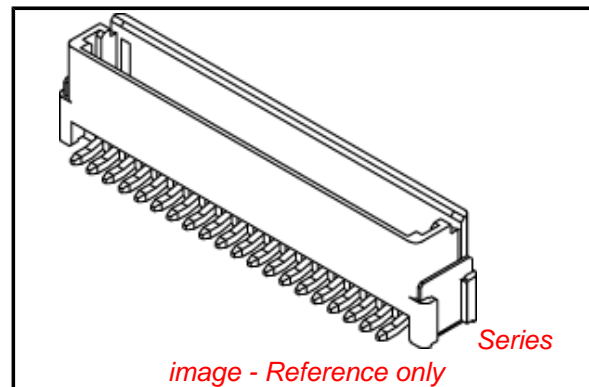
Electrical

Current - Maximum per Contact	1.5A
Voltage - Maximum	100V

Material Info

Reference - Drawing Numbers

Packaging Specification	SPK-55450-001
Product Specification	PS-54596-022, RPS-54596-025, RPS-54596-026
Sales Drawing	SD-55450-010, SD-55450-011



EU RoHS

ELV and RoHS Compliant
REACH SVHC
 Not Reviewed
Halogen-Free
Status
Not Reviewed

China RoHS



Need more information on product environmental compliance?

Email productcompliance@molex.com
 For a multiple part number RoHS Certificate of Compliance, [click here](#)

Please visit the [Contact Us](#) section for any non-product compliance questions.

Search Parts in this Series

[55450Series](#)

Mates With

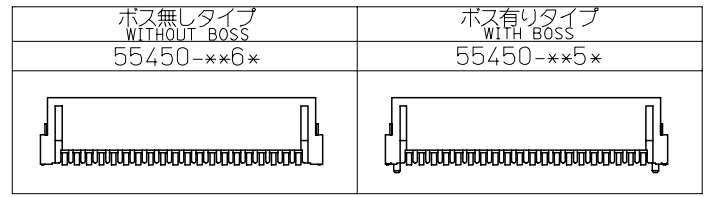
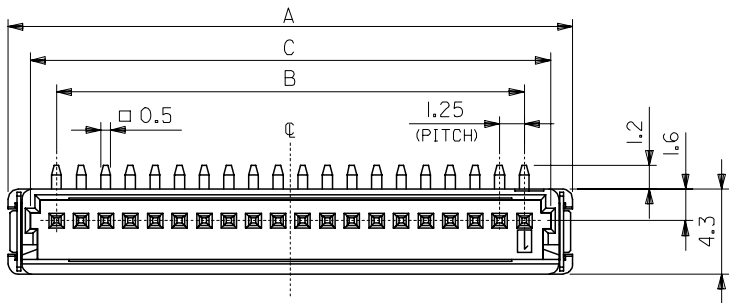
[54596 IDT Receptacle Housing](#)

This document was generated on 06/07/2010

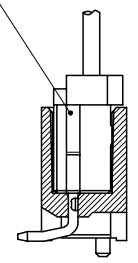
PLEASE CHECK WWW.MOLEX.COM FOR LATEST PART INFORMATION

10 9 8 7 6 5 4 3 2 1

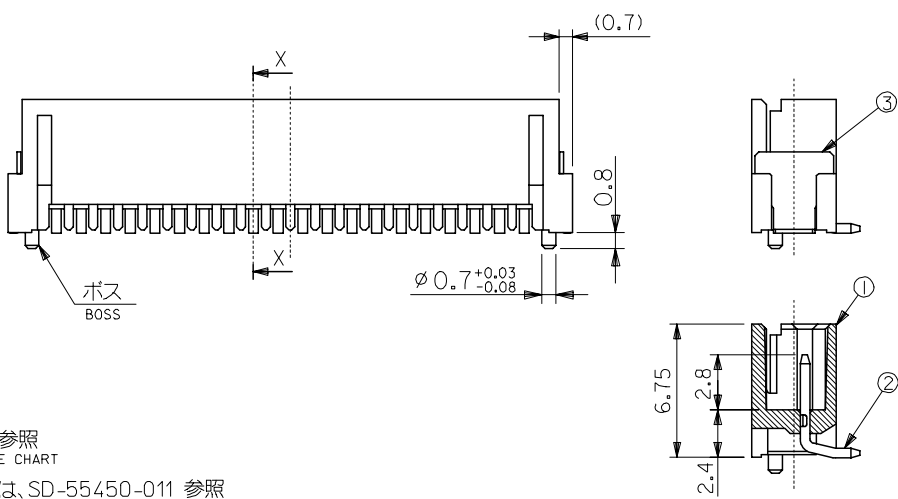
番号 NO.	名称 NAME	原料 MATERIAL	数量 QTY	仕上げ FINISH
①	ウエハー WAFER	ナイロン NYLON	1	UL94V-0
②	ピン PIN	黄銅 BRASS	N	全体錫メッキ PRE-TINNED
③	フィッティングネール FITTING NAIL	黄銅 BRASS	2	錫メッキ TIN PLATING



54596-***
リセプトフルアセンブリ
REC. ASS'Y



嵌合図
MATING REC.



断面 X-X
SECTION X-X

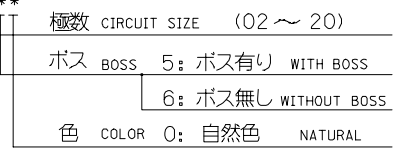
27.05	26.25	26.4	23.75	28.65	20	55450-20**
25.8	25	25.15	22.5	27.4	19	-19**
24.55	23.75	23.9	21.25	26.15	18	-18**
23.3	22.5	22.65	20	24.9	17	-17**
22.05	21.25	21.4	18.75	23.65	16	-16**
20.8	20	20.15	17.5	22.4	15	-15**
19.55	18.75	18.9	16.25	21.15	14	-14**
18.3	17.5	17.65	15	19.9	13	-13**
17.05	16.25	16.4	13.75	18.65	12	-12**
15.8	15	15.15	12.5	17.4	11	-11**
14.55	13.75	13.9	11.25	16.15	10	-10**
13.3	12.5	12.65	10	14.9	9	-09**
12.05	11.25	11.4	8.75	13.65	8	-08**
10.8	10	10.15	7.5	12.4	7	-07**
9.55	8.75	8.9	6.25	11.15	6	-06**
8.3	7.5	7.65	5	9.9	5	-05**
7.05	6.25	6.4	3.75	8.65	4	-04**
5.8	5	5.15	2.5	7.4	3	-03**
4.55	3.75	3.9	1.25	6.15	2	55450-02**
E	D	C	B	A	極数 CIRCUIT SIZE	△ 製品番号 MATERIAL NO.

注) NOTES

1. 原料および仕上げ: 表参照
MATERIAL AND FINISH: SEE CHART
2. インボス梱包品の詳細は、SD-55450-011 参照
REFER TO THE SD-55450-011 FOR THE EMBOSSED PACKAGING.
3. 端子平坦度は 0.15 MA X. とする。
COPLANALITY TO BE 0.15 MAX.

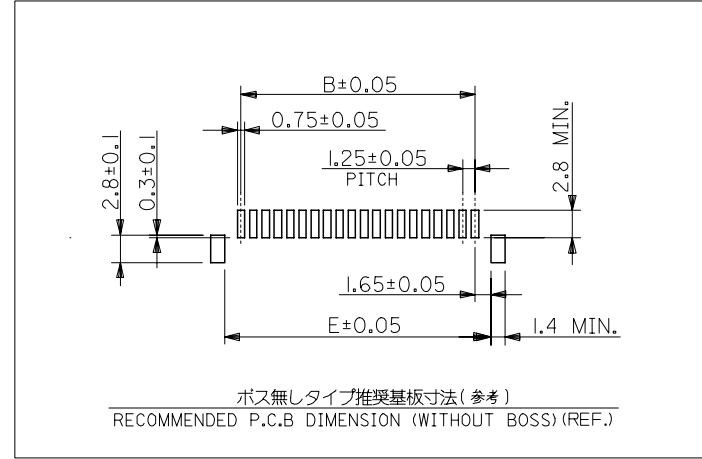
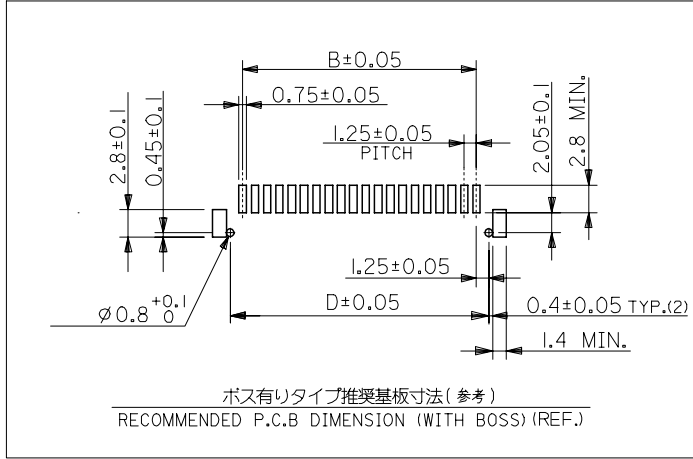
△ 製品番号
MATERIAL NO.

55450-****



5. 本製品は 55450-**10/**30/**70/**80 の鉛フリー品である。
THIS PRODUCT IS LEAD FREE OF 55450-**10/**30/**70/**80.

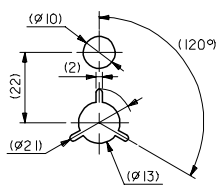
REVISED EC NO: J2007-0566 DRWN: OTANI CHKD: NUKITA APPR: NUKITA	DESCRIPTION	GENERAL TOLERANCES (UNLESS SPECIFIED)		DIMENSION STYLE MM ONLY		SCALE 4:1	DESIGN UNITS METRIC	THIRD ANGLE PROJECTION	
		10 UNDER	±0.2	DRAWN BY N. AIDA	DATE '05/02/01	TITLE MINI M12 1-ROW SMT WAFER ASS'Y (TIN) -LEAD FREE-			
10 OVER 30 UNDER	±0.25	CHECKED BY K. TOJO	DATE '05/02/01	MOLEX INCORPORATED					
30 OVER	±0.3	APPROVED BY N. UKITA	DATE '05/02/01	MATERIAL NO. SEE CHART		DOCUMENT NO. SD-55450-010		SHEET NO. 1 OF 2	
ANGULAR	±3 °	THIS DRAWING CONTAINS INFORMATION THAT IS PROPRIETARY TO MOLEX INCORPORATED AND SHOULD NOT BE USED WITHOUT WRITTEN PERMISSION							
DRAFT WHERE APPLICABLE MUST REMAIN WITHIN DIMENSIONS									



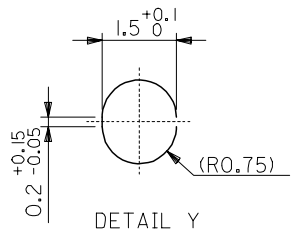
REVISED EC NO: J2007-0566 DRWN: OTANI 2006/09/01 CHK: NUKITA 2006/09/05 APPR: NUKITA 2006/09/08	GENERAL TOLERANCES (UNLESS SPECIFIED)		DIMENSION STYLE MM ONLY		SCALE 4:1	DESIGN UNITS METRIC	THIRD ANGLE PROJECTION	
	10 UNDER	±0.2	DRAWN BY N.AIDA	DATE '05/02/01	TITLE MINI M12 1-ROW SMT WAFER ASS'Y (TIN) -LEAD FREE-			
	10 OVER 30 UNDER	±0.25	CHECKED BY K.TOJO	DATE '05/02/01				
	30 OVER	±0.3	APPROVED BY N.NUKITA	DATE '05/02/01	MOLEX INCORPORATED			
	ANGULAR	±3 °	MATERIAL NO.	DOCUMENT NO. SD-55450-010				
DRAFT WHERE APPLICABLE MUST REMAIN WITHIN DIMENSIONS		SIZE A3	THIS DRAWING CONTAINS INFORMATION THAT IS PROPRIETARY TO MOLEX INCORPORATED AND SHOULD NOT BE USED WITHOUT WRITTEN PERMISSION					

10 9 8 7 6 5 4 3 2 1

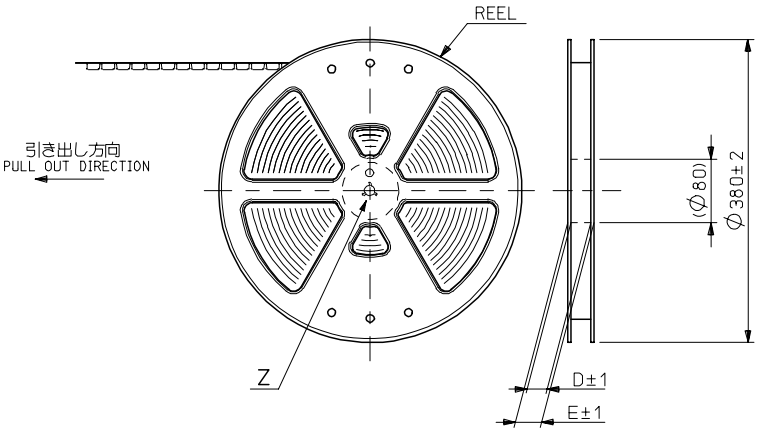
F
E
D
C
B
A



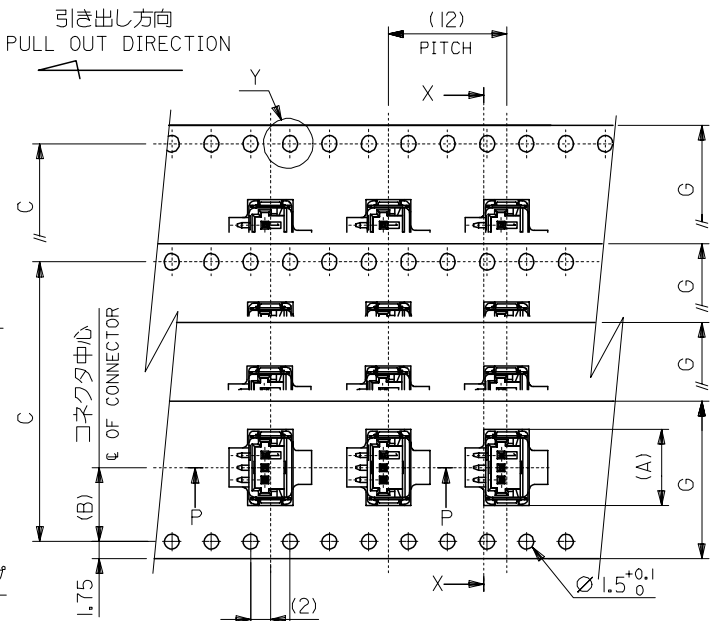
DETAIL Z



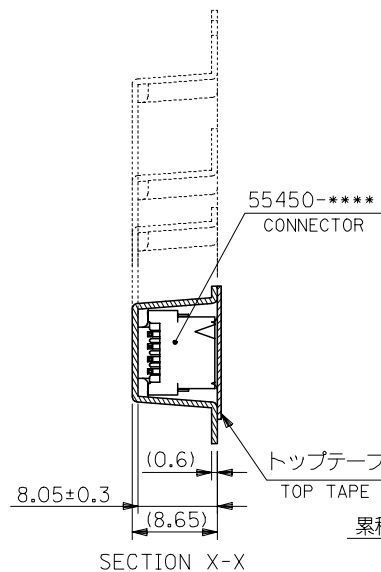
DETAIL Y
(10:1)



引き出し方向
PULL OUT DIRECTION



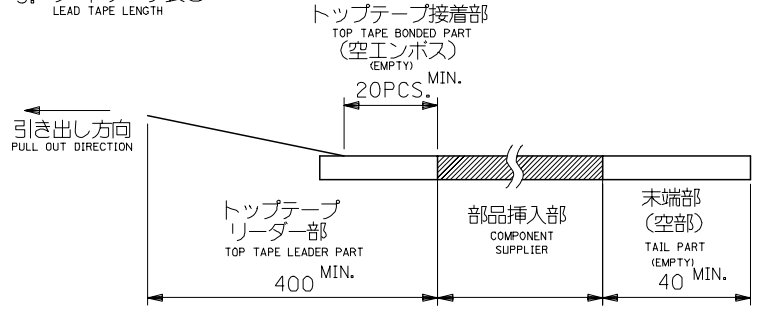
累積ピッチ:40±0.2 4±0.1
ACCUMULATIVE PITCH



SECTION X-X

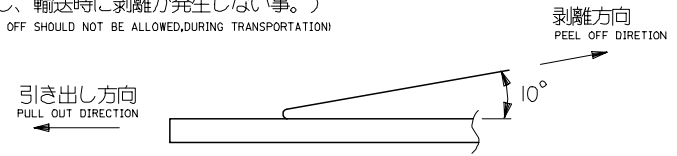
注)
NOTES

- 製品番号 55450-**** の詳細寸法については、SD-55450-010 を参照下さい。
IN THE PACKAGE, PART NO. 55450-**** DETAILED DIMENSIONS, SEE SD-55450-010.
- 梱包数量 : 880個/リール
NUMBER OF CONNECTORS : 880 PCS/REEL
- リードテープ長さ
LEAD TAPE LENGTH



- トップテープの剥離強度 (剥離方向は下図参照)
PEELING OFF FORCE OF TOP TAPE (PEELING DIRECTION AS SHOWN IN FOLLOWING FIG.)
0.1~1.3N (10~130gf)

尚、本規格値は、出荷時に適用。
THIS REQUIREMENT SHOULD BE APPLIED AT SHIPMENT
(但し、輸送時に剥離が発生しない事。)
(PEEL OFF SHOULD NOT BE ALLOWED, DURING TRANSPORTATION)



- 材料
MATERIAL
キャリアテープ : ポリプロピレン (PP)
CARRIER TAPE : POLYPROPYLENE (PP)
トップテープ : PET, PE, PEF
TOP TAPE : PET, PE, PEF
リール : ポリスチレン
REEL : POLYSTYRENE

△ テープ巾32, 44mmに適用。
THIS DIMENSION SHOULD BE APPLIED AT TAPE WIDTH OF 32, 44mm

- 本製品は 55450-xx19/xx39/xx79/xx89 の鉛フリー品である。
THIS PRODUCT IS LEAD FREE OF 55450-xx19/xx39/xx79/xx89.

REVISED EC NO: J2006-1116 DRW: N. SUZUKI CHK: K. TOYODA APP: N. UKITA REV: A	DESCRIPTION 2005/10/07 2005/10/11 2005/10/13	GENERAL TOLERANCES (UNLESS SPECIFIED)		DIMENSION STYLE MM ONLY		SCALE ---	DESIGN UNITS METRIC	THIRD ANGLE PROJECTION	
		10 UNDER	± ---	DRAWN BY N. AIDA	DATE '05/02/01	TITLE EMBOSSD TAPE PACKAGE FOR 55450-**** -LEAD FREE-		MOLEX INCORPORATED	
		10 OVER 30 UNDER	± ---	CHECKED BY K. TOJO	DATE '05/02/01				
		30 OVER	± ---	APPROVED BY N. UKITA	DATE '05/02/01				
ANGULAR ± --- °		DRAFT WHERE APPLICABLE MUST REMAIN WITHIN DIMENSIONS		MATERIAL NO. SEE CHART		DOCUMENT NO. SD-55450-011		SHEET NO. 1 OF 3	
SIZE A3 THIS DRAWING CONTAINS INFORMATION THAT IS PROPRIETARY TO MOLEX INCORPORATED AND SHOULD NOT BE USED WITHOUT WRITTEN PERMISSION									

10 9 8 7 6 5 4 3 2 1

F

F

E

E

D

D

C

C

B

B

A

A

G	F	E	(D)	C	(B)	(A)	CONNECTOR	エンボス梱包品 製品番号 MATERIAL NO.	MODEL NO.	CONNECTOR	エンボス梱包品 製品番号 MATERIAL NO.	MODEL NO.	極数 CIRCUIT SIZE	量産対応 AVAILABLE
44	3	49.4	45.4	40.4	20.2	28.95	55450-2060	55450-2069	55450-**69 ボス無し WITHOUT BOSS	55450-2050	55450-2059	55450-**59 ボス有り WITH BOSS	20	OK
						27.7	-1960	-1969		-1950	-1959		19	NO
						26.45	-1860	-1869		-1850	-1859		18	OK
						25.2	-1760	-1769		-1750	-1759		17	NO
						23.95	-1660	-1669		-1650	-1659		16	OK
						22.7	-1560	-1569		-1550	-1559		15	OK
						21.45	-1460	-1469		-1450	-1459		14	OK
32	2	37.4	33.4	28.4	14.2	20.2	-1360	-1369	-1350	-1359	13	OK		
						18.95	-1260	-1269	-1250	-1259	12	OK		
						17.7	-1160	-1169	-1150	-1159	11	OK		
						16.45	-1060	-1069	-1050	-1059	10	OK		
24	2	29.4	25.4	11.5	15.2	-0960	-0969	-0950	-0959	9	NO			
					13.95	-0860	-0869	-0850	-0859	8	OK			
					12.7	-0760	-0769	-0750	-0759	7	OK			
					11.45	-0660	-0669	-0650	-0659	6	OK			
					10.2	-0560	-0569	-0550	-0559	5	OK			
					8.95	-0460	-0469	-0450	-0459	4	NO			
16	2	21.4	17.4	7.5	7.7	-0360	-0369	-0350	-0359	3	OK			
					6.45	55450-0260	55450-0269	55450-0250	55450-0259	2	OK			

REVISED EC NO: J2006-1116 DRW: NESUZUKI CHK: KATOYODA APPR: NUKITA 2005/10/07 2005/10/11 2005/10/13	DESCRIPTION REV	GENERAL TOLERANCES (UNLESS SPECIFIED)		DIMENSION STYLE MM ONLY		SCALE ---	DESIGN UNITS METRIC	THIRD ANGLE PROJECTION		
		10 UNDER	± ---	DRAWN BY N. AIDA	DATE '05/02/01	TITLE EMBOSSSED TAPE PACKAGE FOR 55450-**** -LEAD FREE-				
		10 OVER 30 UNDER	± ---	CHECKED BY K. TOJO	DATE '05/02/01	MOLEX INCORPORATED				
		30 OVER	± ---	APPROVED BY N. UKITA	DATE '05/02/01	MATERIAL NO.		DOCUMENT NO.		SHEET NO.
		ANGULAR ± --- °		DRAFT WHERE APPLICABLE MUST REMAIN WITHIN DIMENSIONS		SEE CHART		SD-55450-011		2 OF 3

10 9 8 7 6 5 4 3 2 1

F

E

D

C

B

A

F

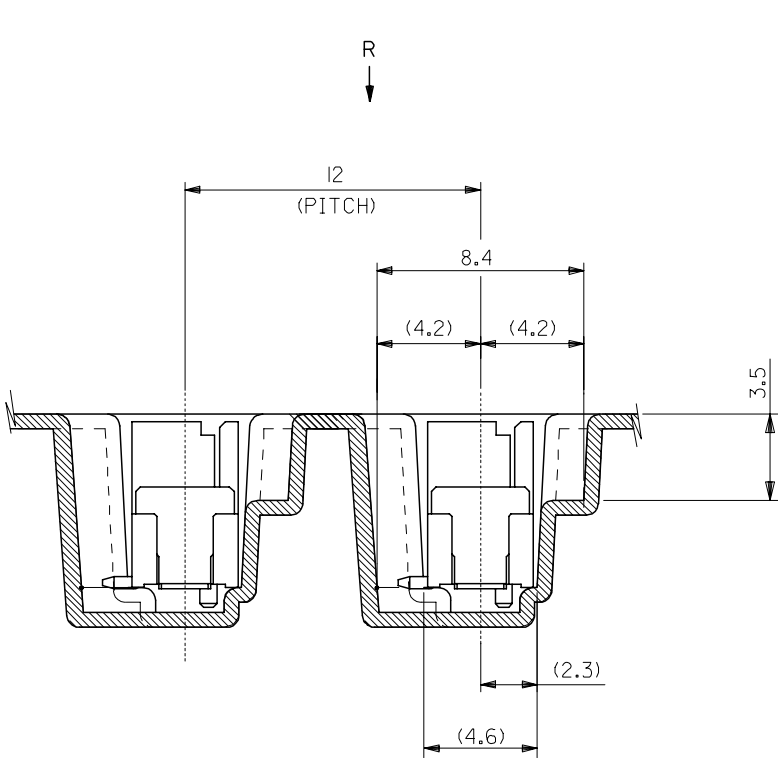
E

D

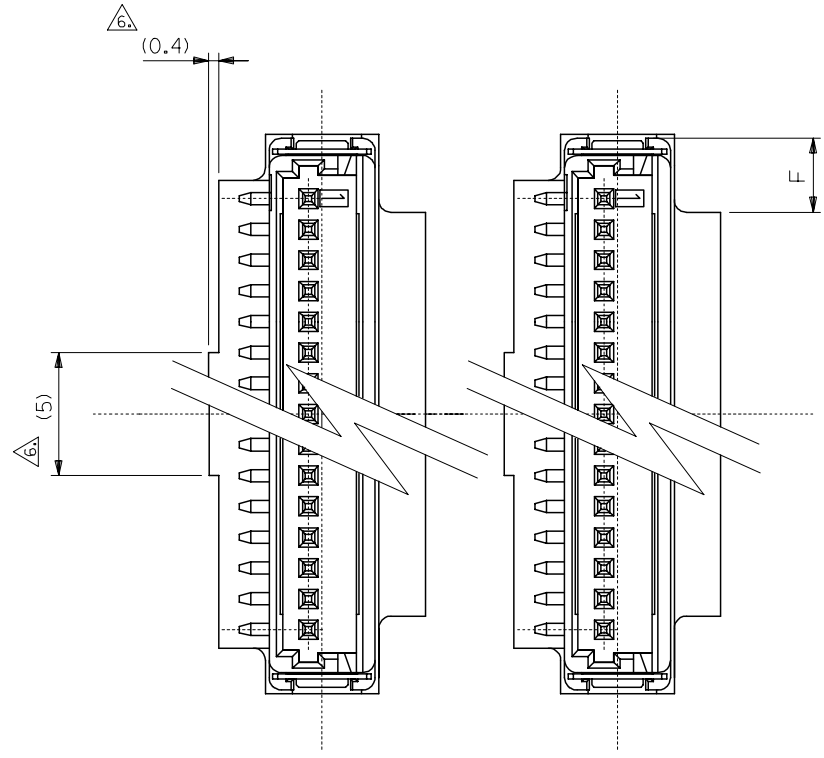
C

B

A



SECTION P-P
(5:1)



VIEW R
(5:1)

REVISED EC NO: J2006-1116 DRW: N. SUZUKI CHK: K. TOYODA APPR: N. UKITA	2005/10/07 2005/10/11 2005/10/13	GENERAL TOLERANCES (UNLESS SPECIFIED)		DIMENSION STYLE MM ONLY		SCALE 5:1	DESIGN UNITS METRIC	THIRD ANGLE PROJECTION		
		10 UNDER	± ---	DRAWN BY N. AIDA	DATE '05/02/01	TITLE EMBOSSD TAPE PACKAGE FOR 55450-**** -LEAD FREE-				
		10 OVER 30 UNDER	± ---	CHECKED BY K. TOJO	DATE '05/02/01					
		30 OVER	± ---	APPROVED BY N. UKITA	DATE '05/02/01	MOLEX INCORPORATED				
		ANGULAR	± --- °	MATERIAL NO.	DOCUMENT NO.					
DRAFT WHERE APPLICABLE MUST REMAIN WITHIN DIMENSIONS		SEE CHART		SD-55450-011		3 OF 3				

9

8

7

6

5

4

3

2